

# R6636TRFS

66" x 35.75" x 22.625"

**GENERAL SPECIFICATIONS:**

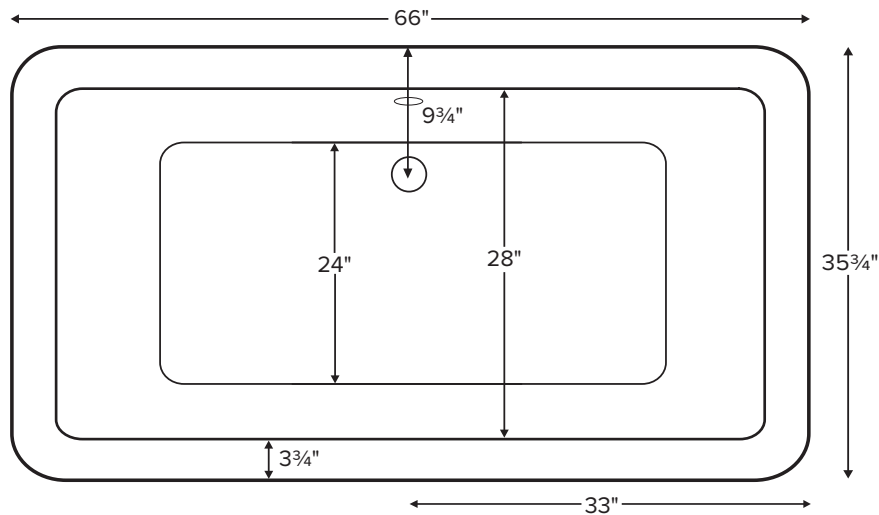
Installation: Freestanding

Material: Acrylic

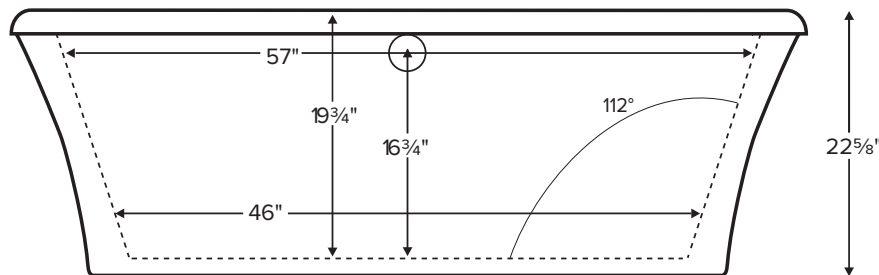
Soaker Weight: 121 lbs / 55 kg

Maximum Fill: 87 gal to overflow

**NOTE:** Filling this tub to the maximum may require an above average size or dedicated water heater.



Requires use of a wall-mounted or freestanding tub filler. The drain and overflow assembly is concealed between the walls of the tub, eliminating the need for an exposed drain kit.



**IMPORTANT ORDERING & INSTALLATION INFORMATION:**

- Freestanding tub is designed to install on a finished floor that is flat and level.
- There is room on drain side between the tub walls for waste & overflow.
- Faucet valves cannot be installed on this tub model.
- Tub includes an access panel (standard) behind the waste & overflow for plumbing connections or Virtual Spout installation.
- Access panel dimensions vary according to tub model and design. Please consider access panel visibility before ordering and when planning final installation position.
- The Virtual Spout is installed below the water level of the tub. Reliance supplies a Wilkins dual check valve and an Acme in-wall atmospheric vent to prevent backsiphonage. Some areas of the country require additional backflow prevention when water is introduced to the bath below the water level. Please check local codes.

• Before discarding tub crate, check for accessories that may be packaged inside.  
 • All product measurements are ±1/2".  
 • Specifications and configurations are subject to change without notice.  
 • Measurements herein supersede all others published prior to publication date below.

PACKAGE	PACKAGE CONTENTS	PART #
Soaker	Soaking bath - No jets. Includes pre-leveled foam base.	R6636TRFS
Soaker With Virtual Spout	Soaking bath - No jets. Includes Virtual Spout integrated high-flow tub filler (see important ordering information), pre-leveled foam base.	R6636TRFSVS

<b>OPTIONS</b> <i>(must be ordered at time of purchase)</i>
<b>Color Upgrade:</b> Biscuit (RCOLOR)
<b>ACCESSORIES</b>
<b>Lift and Turn Drain &amp; Overflow</b> Chrome (RWOC) Brushed Nickel (RWOBN) White (RWOW)
<b>Pillows</b> Soft Pillow White (RPSW) Black (RPSB) Roll-Up Pillow Light Aqua (RPRUC) Black (RPRUB)



Inside view of tub.